

006-09-1 ekbishop

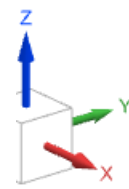
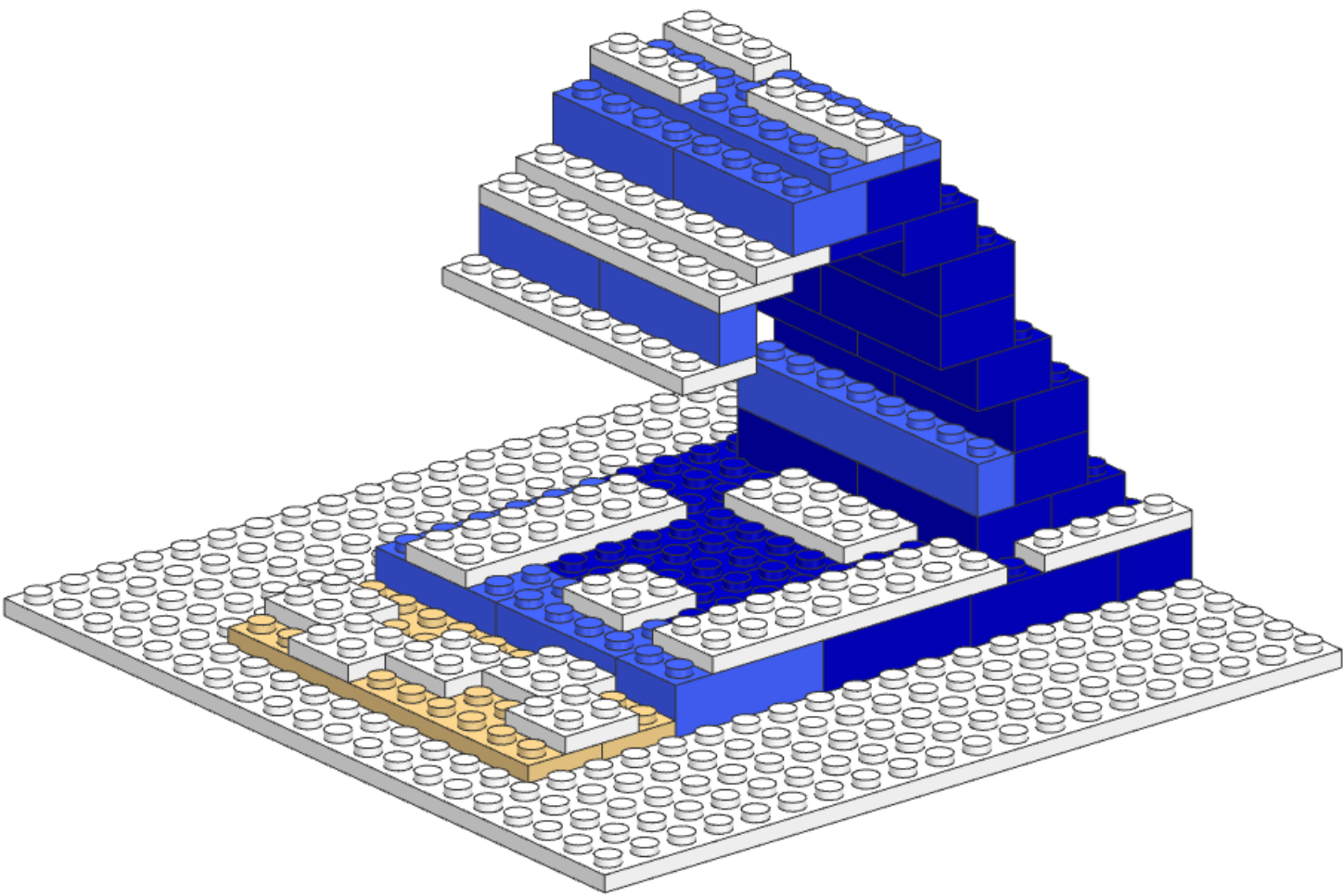
LEGO® Assembly and Motion Project

Elle Bishop

CGT 163

6/9/22

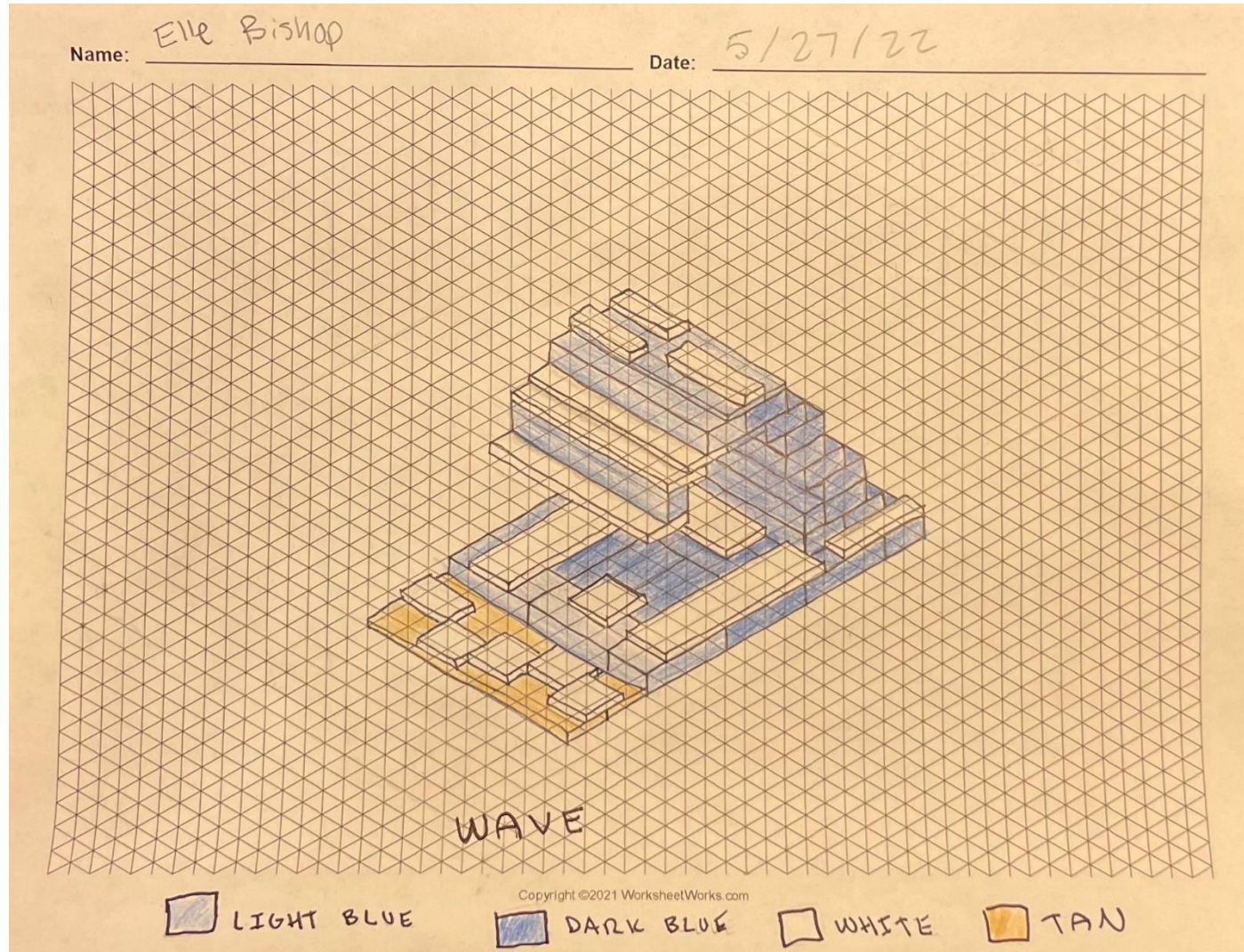
Assembly



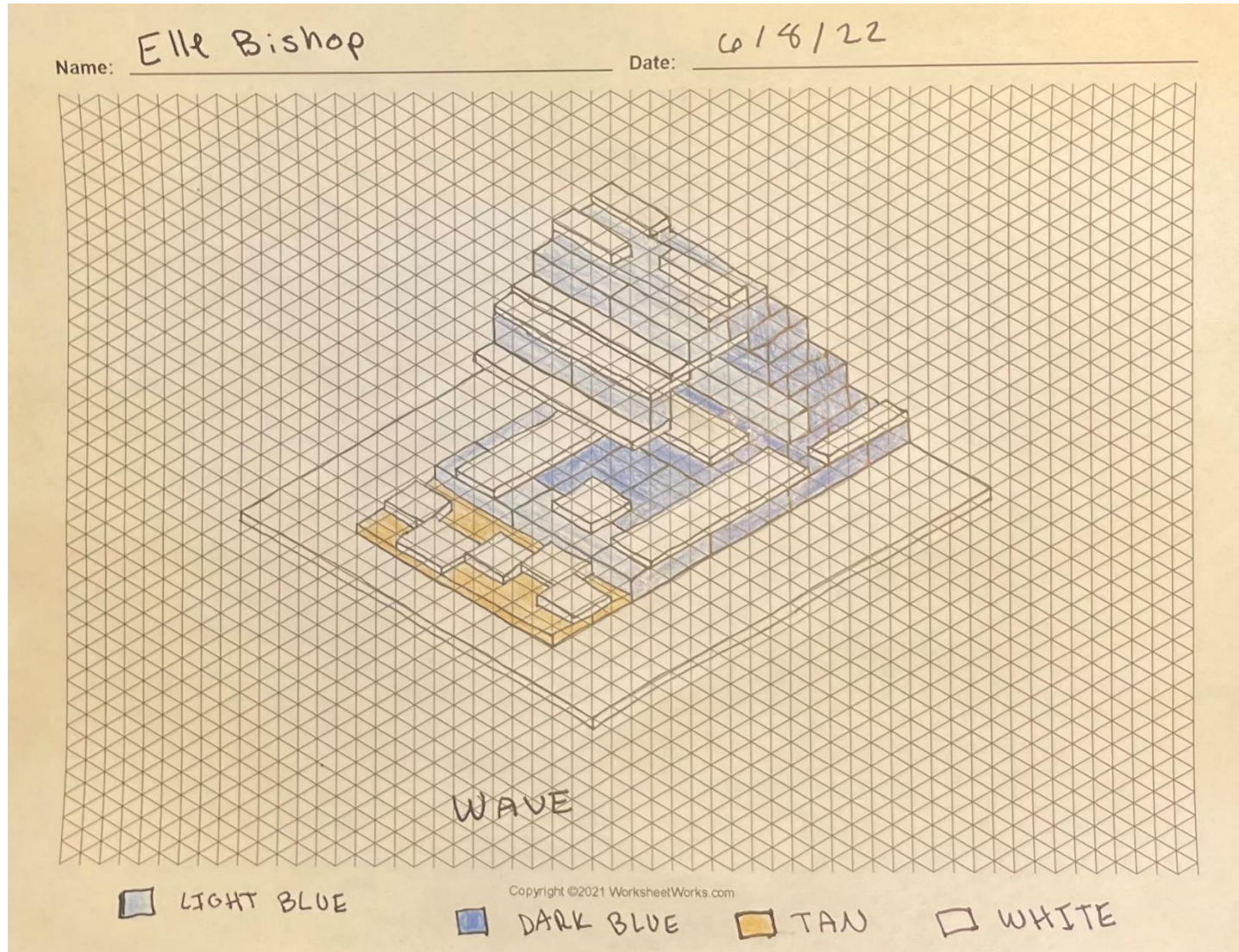
Narrative

- My design is of a wave crashing on a beach. The deeper parts of the wave are dark blue, and the shallower parts are light blue. White foam is scattered on the shore and the exterior of the wave. I wanted to show the motion and depth of the wave with my shape and color choices.
- In my second iteration of the design, I added a white baseplate to unify everything, and I changed the color of a few bricks.

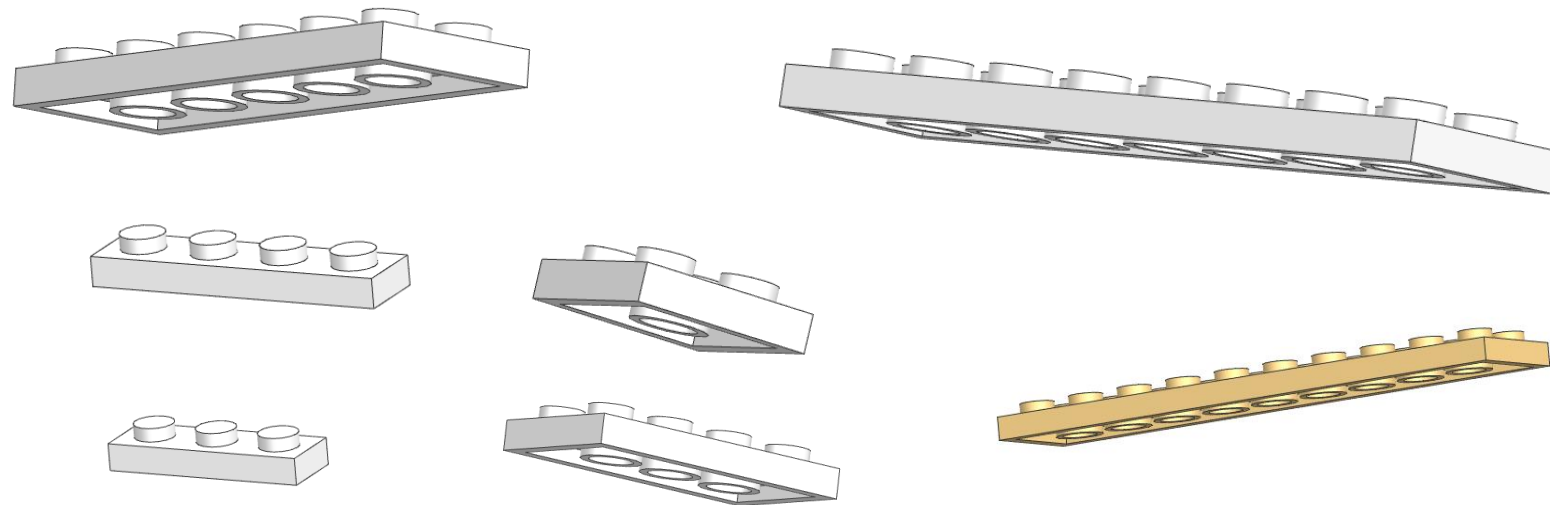
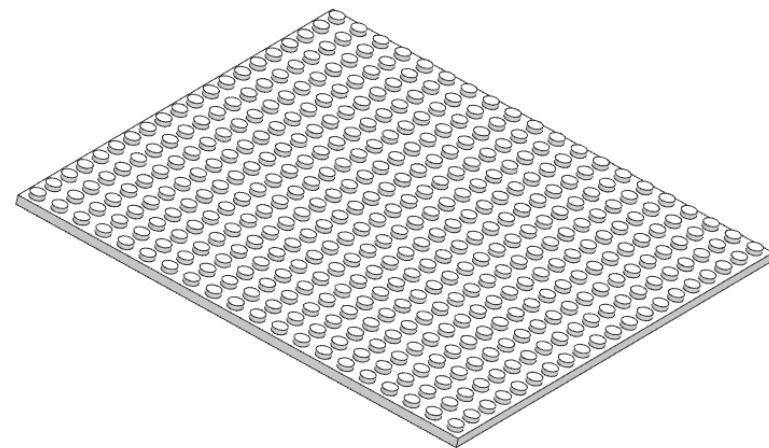
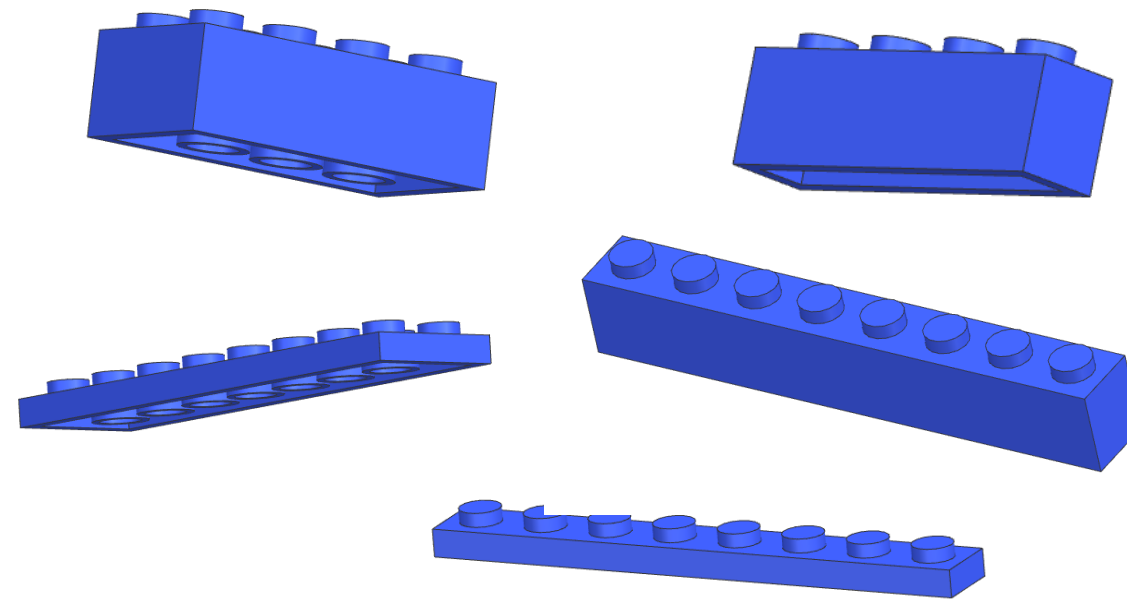
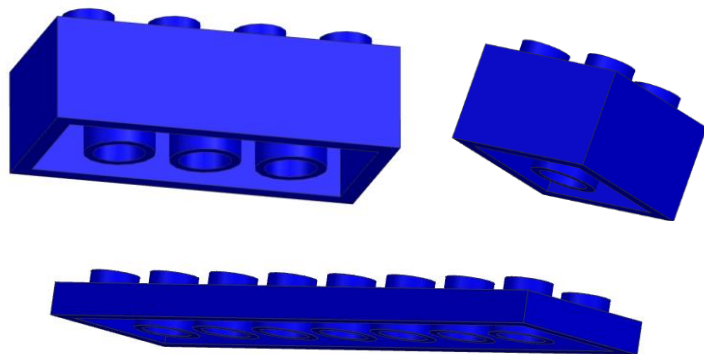
Ideation Sketch



Final Isometric Sketch



NX Parts



Bill Of Materials (BOM)

Quantity	Description	Color
31	2x4 Brick	Dark Blue
6	2x4 Brick	Light Blue
1	20x20 Plate	White
1	2x2 Brick	Dark Blue
2	2x10 Plate	Tan
1	2x8 Plate	Dark Blue
4	2x8 Plate	White
6	2x2 Plate	White
2	1x4 Brick	Light Blue
1	2x8 Plate	Light Blue
1	1x8 Plate	Light Blue
2	1x4 Plate	White
2	1x3 Plate	White
1	1x8 Brick	Light Blue
1	2x6 Plate	White
1	2x4 Plate	White

Support Materials

An initial build made of actual Legos. This was to get the idea for the general shape

